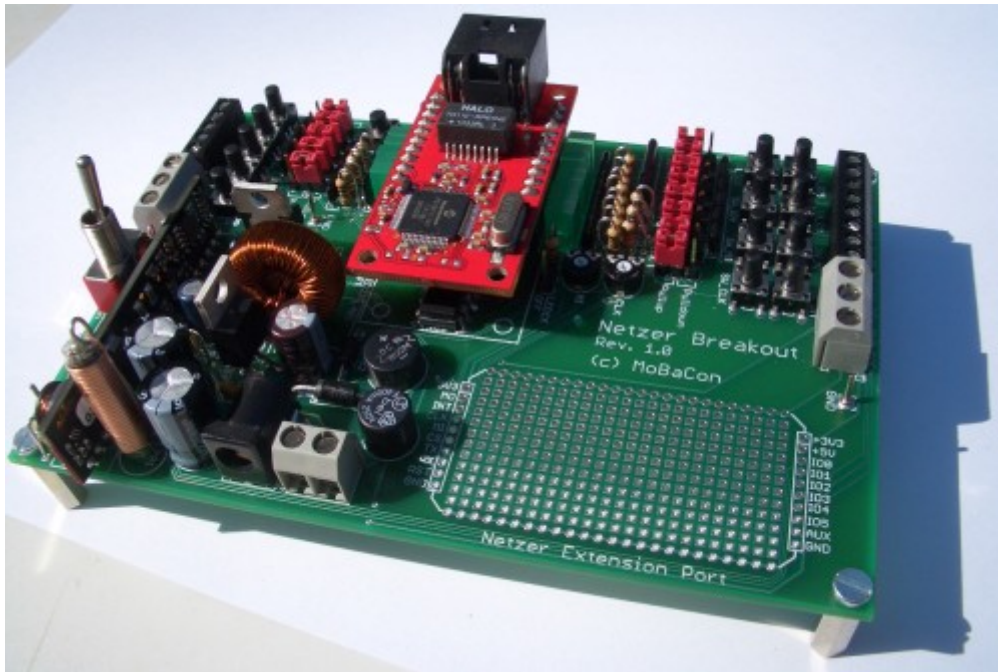


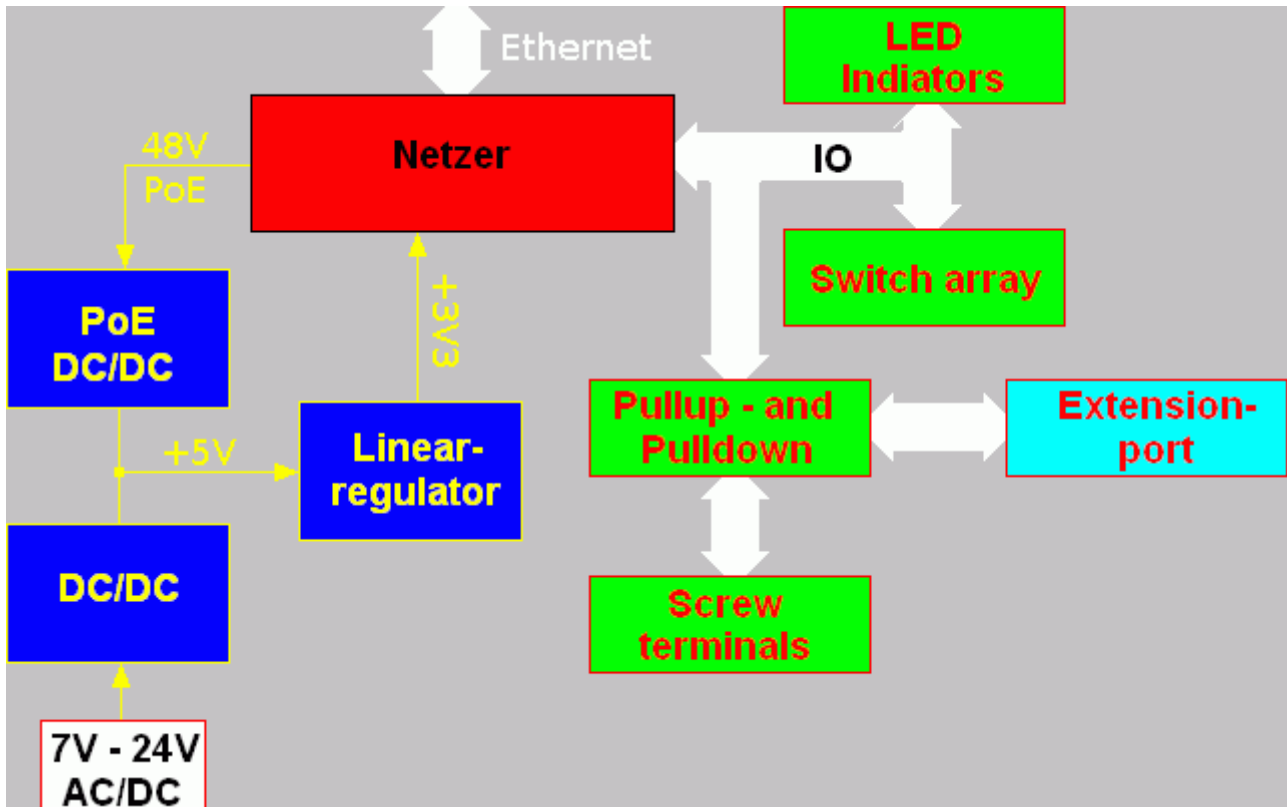
Netzer Playground - Simply develop Ethernet devices



The Netzer Playground enables quick development of circuits around the ethernet gateway Netzer from MoBaCon. Netzer is simply put into the prepared socket.

- Schematics: [Open](#)
- Description and assembly manual: [Open](#)

The image shows a functional block diagram of the board.



The extension port has an important role. Depending on the application several extension boards can be put in the socket. Extension boards for **LCD** and **domestic** (relays, temperatur and light sensors, opto decoupled inputs) are under development.

From: <https://www.mobacon.de/dokuwiki/> - MoBaCon

Permanent link: <https://www.mobacon.de/dokuwiki/doku.php?id=en:netzer:playground&rev=1328567998>

Last update: 2025/06/11 20:42

