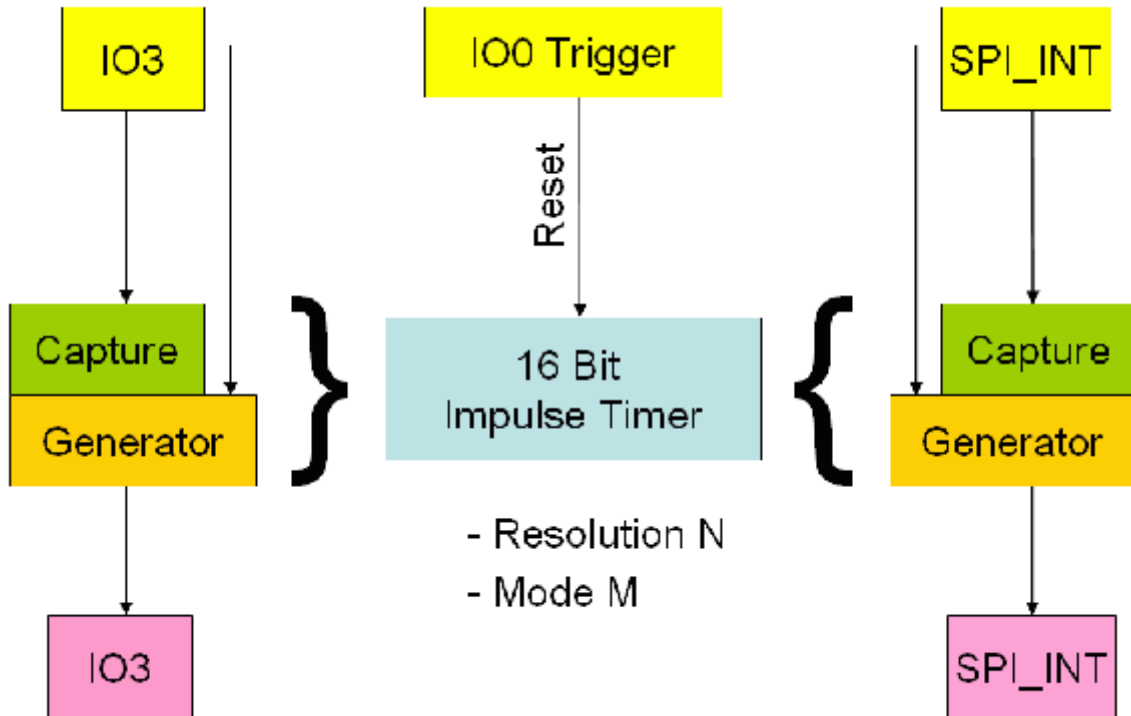


# Impulse handling with Netzer IO

Netzer is able to generate and capture signals at IO3 and SPI\_INT.



The image shows the structure of the impulse generator/capture.

The impulse module is divided into two modes, the unsynchronized mode and the IO0 synchronized mode. Both, IO3 and SPI\_INT, can either work in unsynchronized or in IO0 synchronized mode.

Furthermore a mode M can be configured:

- Continuous mode
- Single
- Triggered by IO0

Resolution N can be either 100ns, 200ns, 400ns or 800ns. All raw values associated with Capture/Generator module must be multiplied by N to get the final time value.

Last but not least channels can be configured for capturing (measuring impulses) or generating impulses.

## Unsynchronized mode

The impulse timer is free running in this mode. IO0 interrupts will not reset the impulse timer.

## Generating impulses in continuous mode

From:  
<https://www.mobacon.de/dokuwiki/> - **MoBaCon**

Permanent link:  
<https://www.mobacon.de/dokuwiki/doku.php?id=en:netzer:impulse&rev=1408204633>

Last update: **2025/06/11 20:42**

