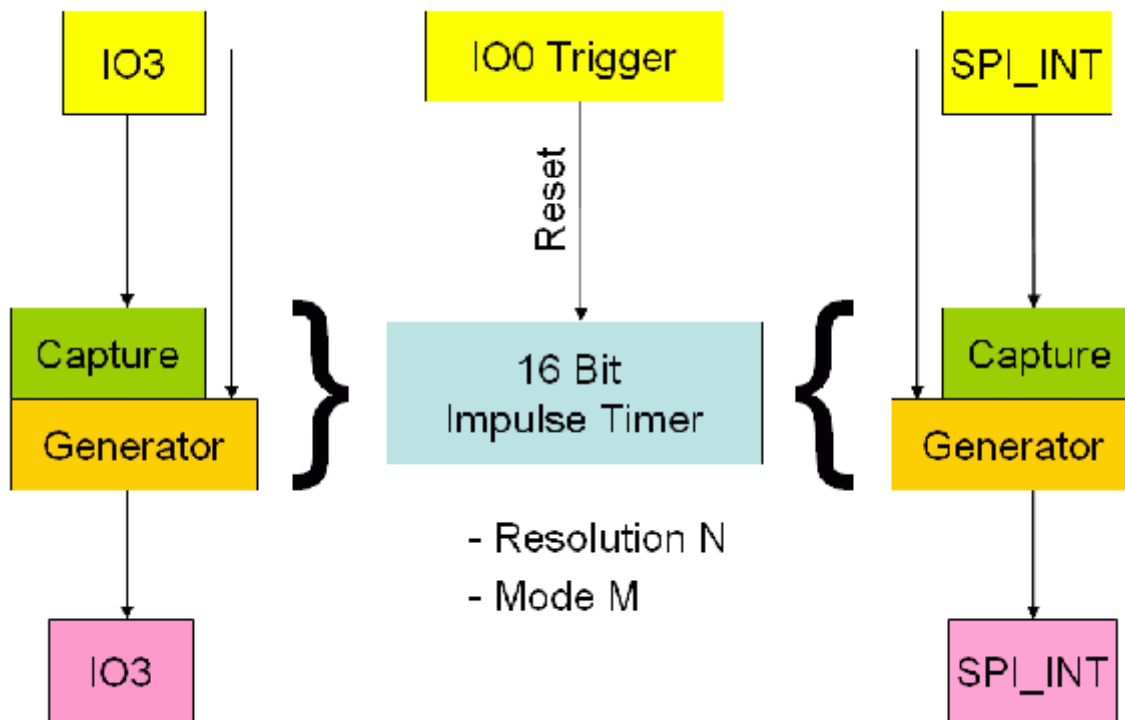


Impulse handling with Netzer IO

Netzer is able to generate and capture signals at IO3 and SPI_INT.



The image shows the structure of the impulse generator/capture.

From: <http://www.mobacon.de/dokuwiki/> - MoBaCon

Permanent link: <http://www.mobacon.de/dokuwiki/doku.php?id=en:netzer:impulse&rev=1408200061>

Last update: 2025/06/11 20:42

