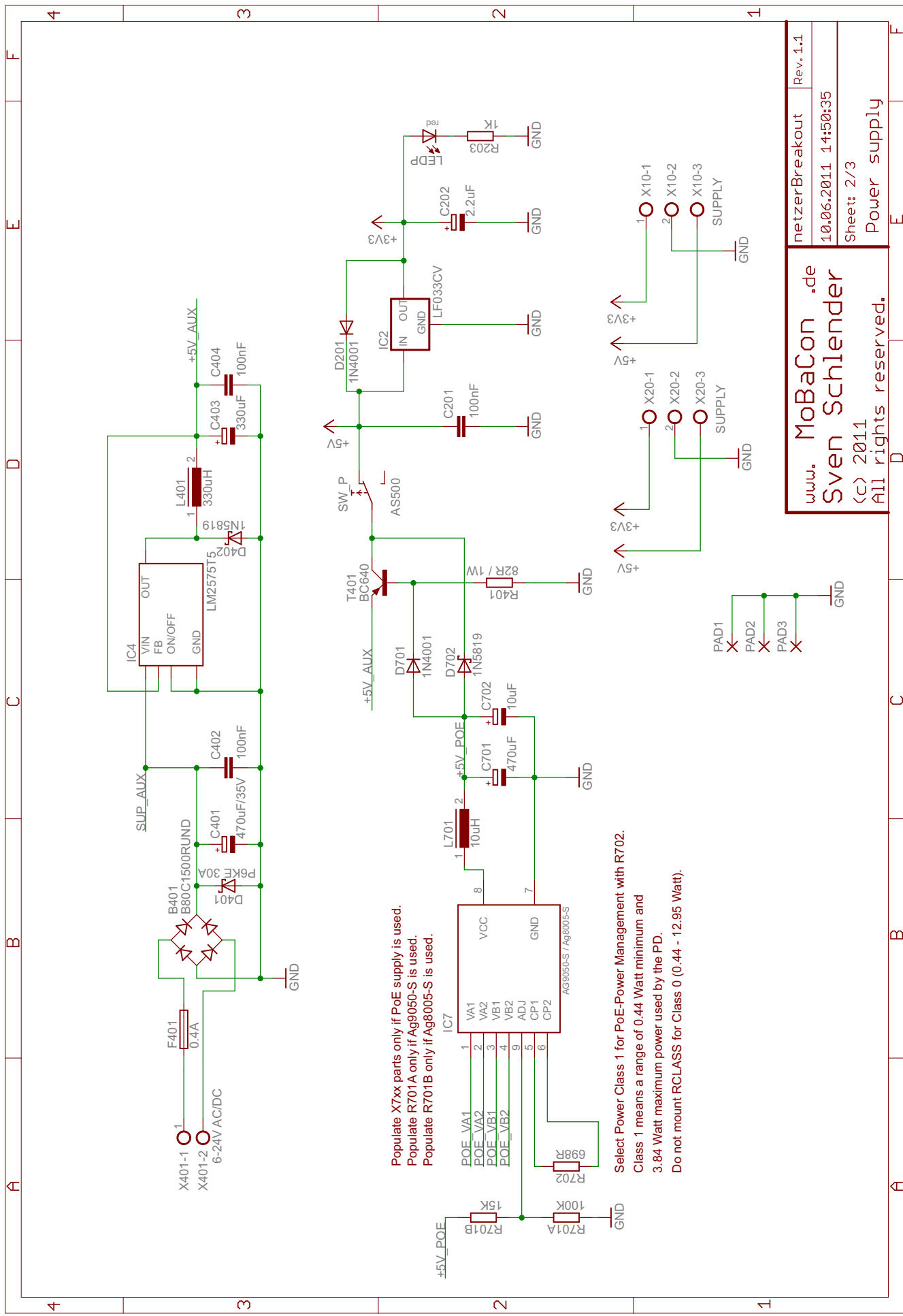


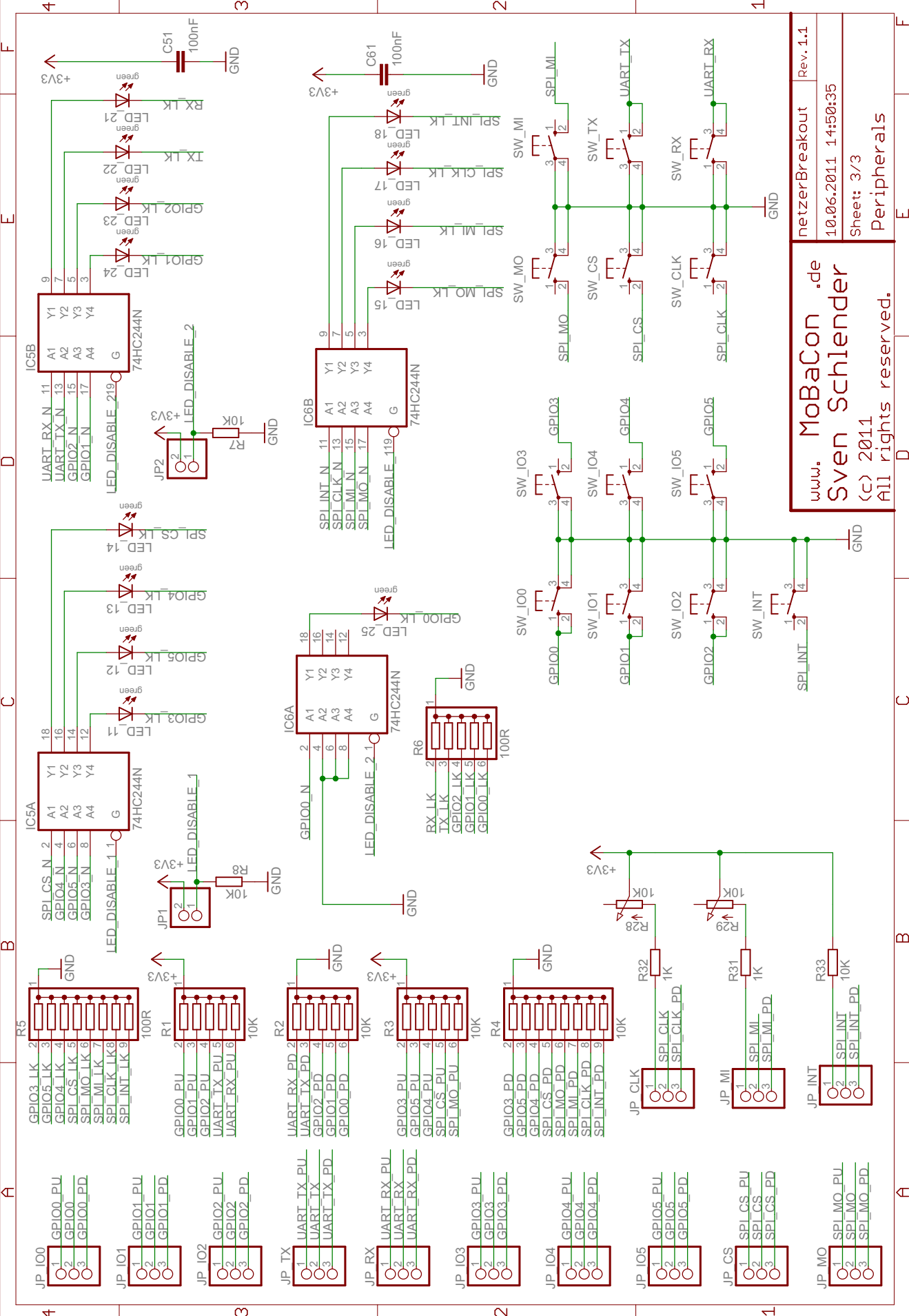
www. MoBaCon .de		netzerBreakout		Rev. 1.1	
Sven Schlender		10.06.2011		14:50:35	
(c) 2011		Sheet: 1/3		Netzer	
All rights reserved.					



Populate X7xx parts only if PoE supply is used.  
 Populate R701A only if Ag9050-S is used.  
 Populate R701B only if Ag8005-S is used.

Select Power Class 1 for PoE-Power Management with R702.  
 Class 1 means a range of 0.44 Watt minimum and  
 3.84 Watt maximum power used by the PD.  
 Do not mount RCLASS for Class 0 (0.44 - 12.95 Watt).

www. MoBaCon .de		netzerBreakout	Rev. 1.1
Sven Schlander		10.06.2011	14:50:35
(c) 2011		Sheet: 2/3	
All rights reserved.		Power supply	



www. MoBaCon .de  
 Sven Schlander  
 (c) 2011  
 All rights reserved.

netzerBreakout Rev. 1.1  
 10.06.2011 14:50:35  
 Sheet: 3/3  
 Peripherals